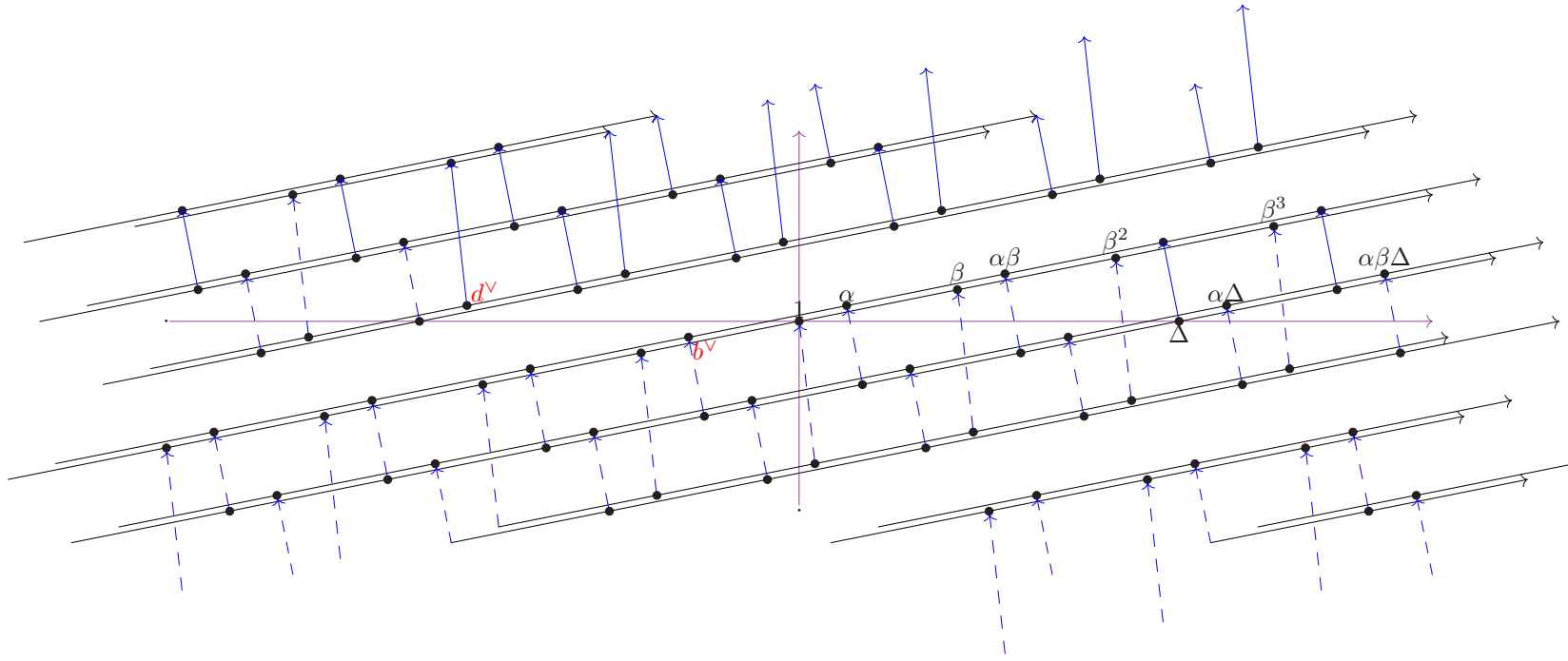
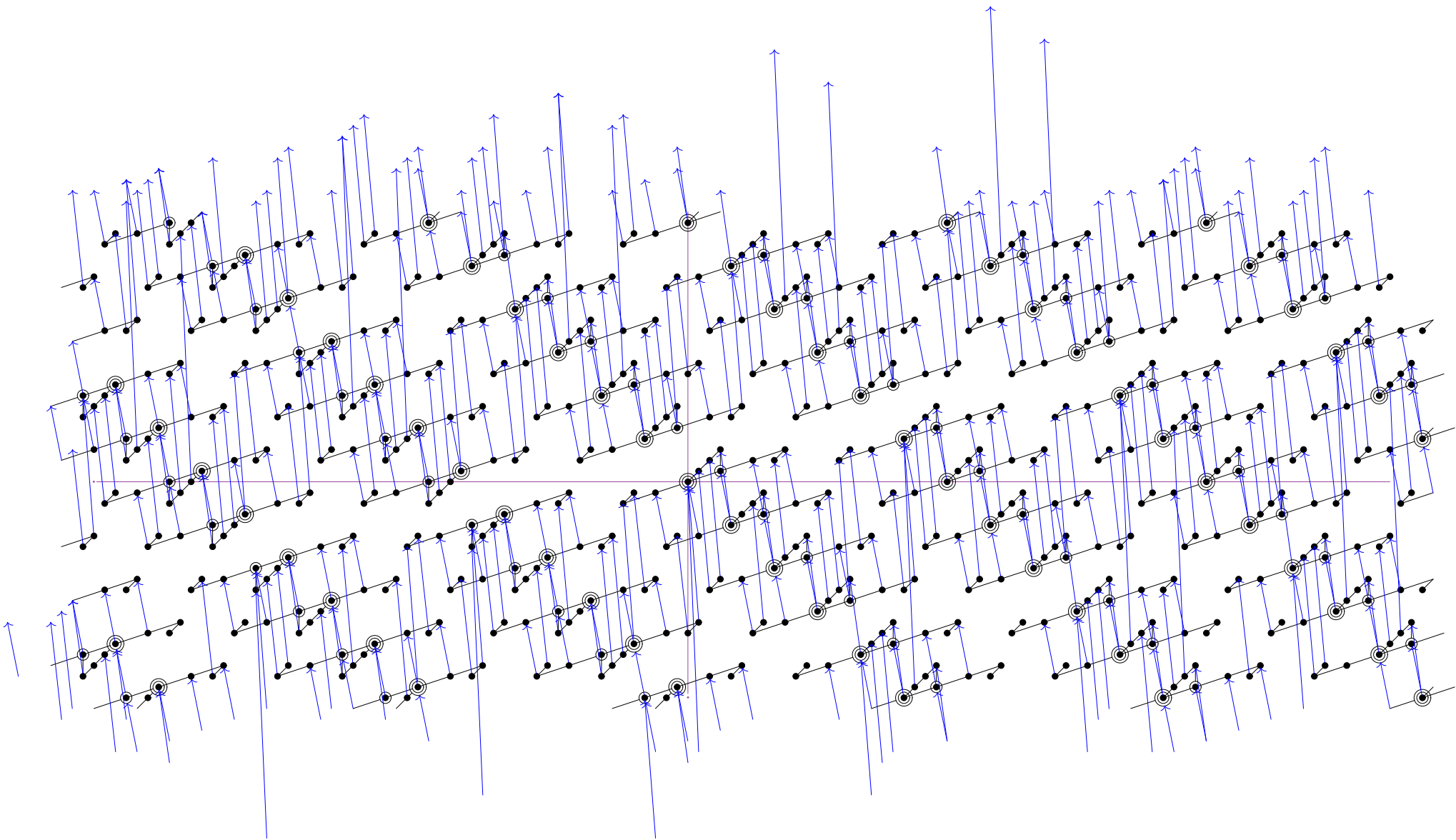
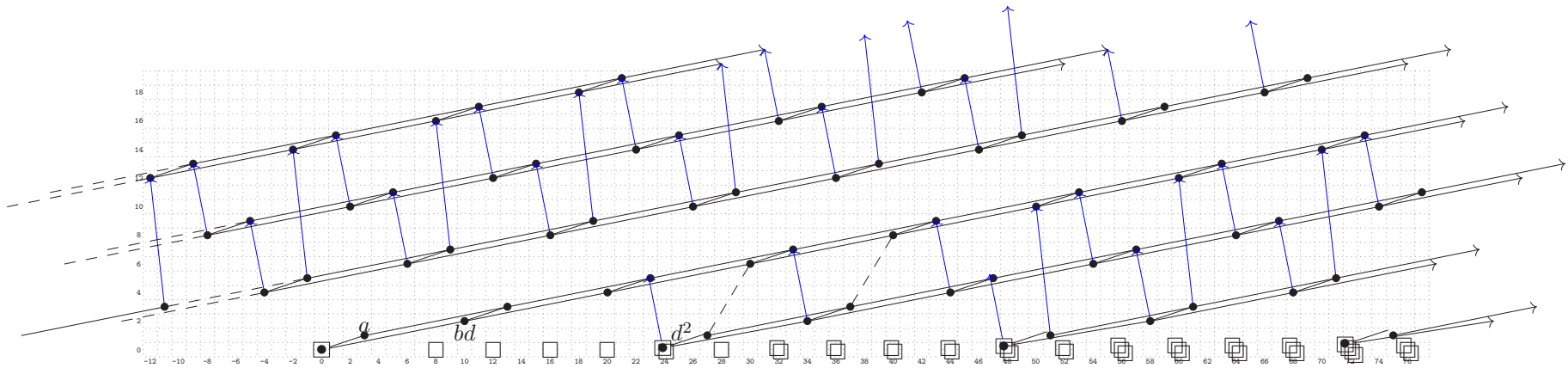
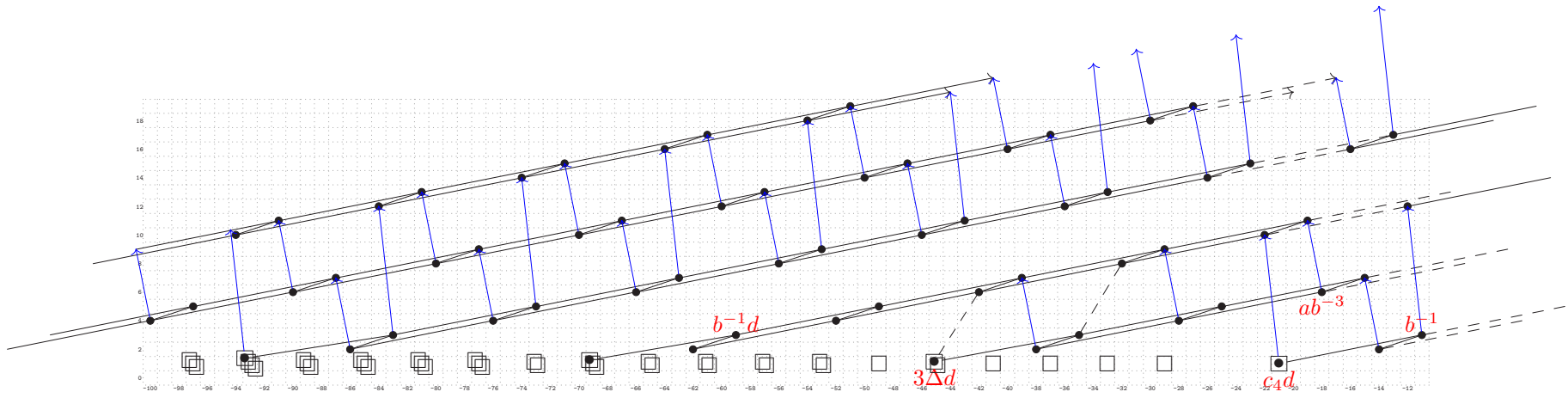


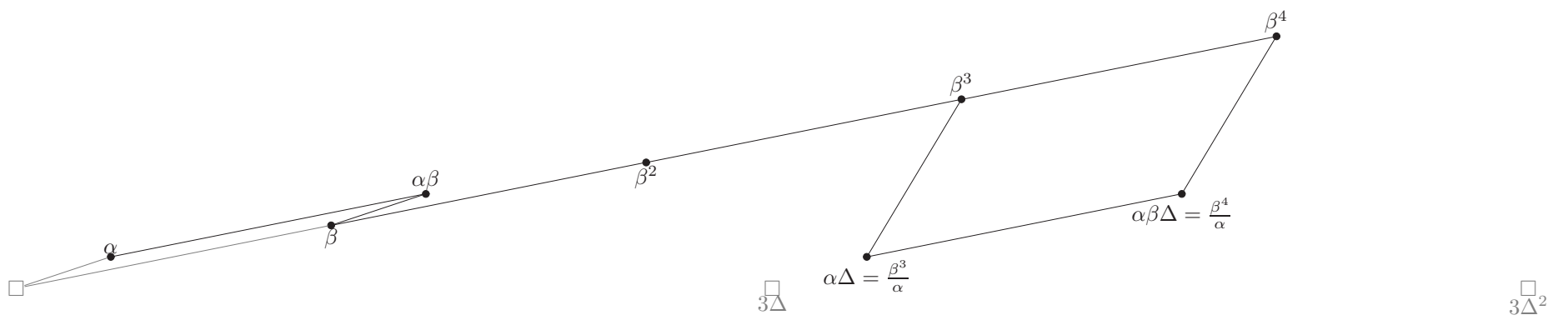
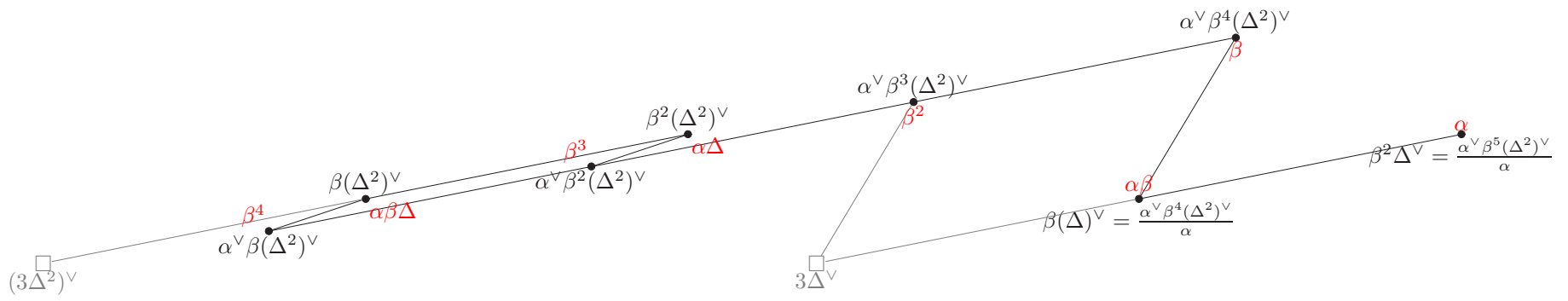
$$\hat{H}^*(SL_2(\mathbb{Z}/2), \pi_*tmf(2)) \Rightarrow \pi_*tmf(2)^{tSL_2(\mathbb{Z}/2)}$$



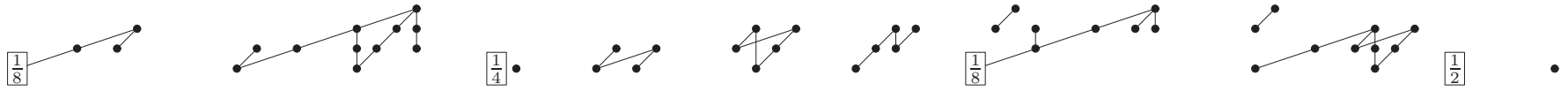
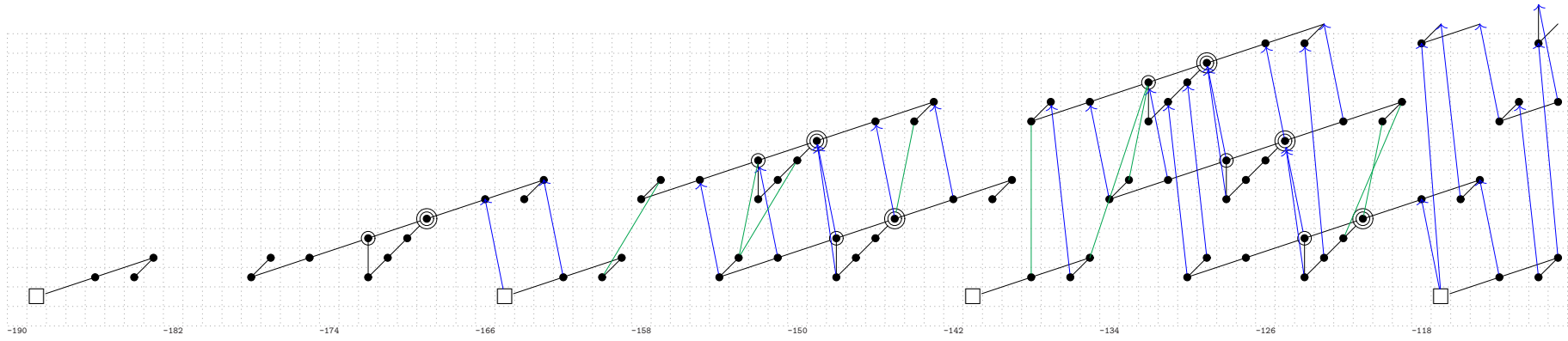


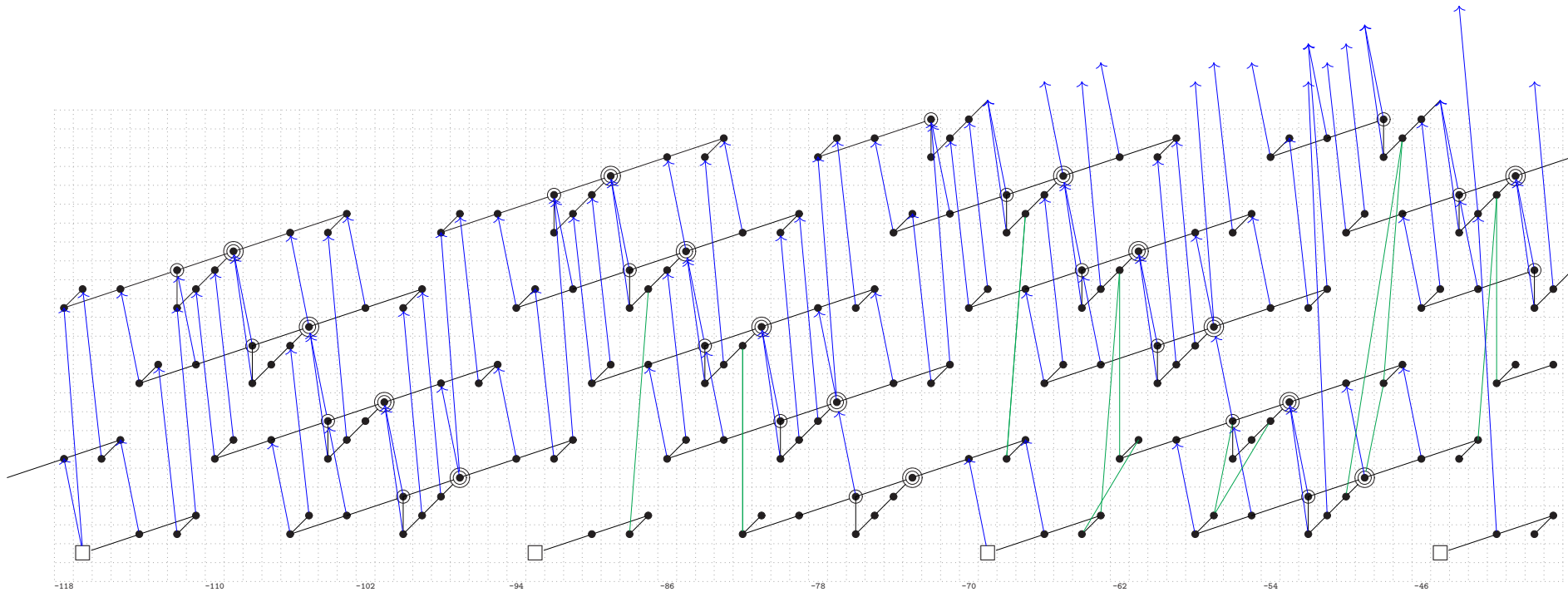
$$H^*(SL_2(\mathbb{Z}/2), \pi_* tmf(2)) \Rightarrow \pi_* tmf(2)^{hSL_2(\mathbb{Z}/2)}$$





$$H^*(SL_2(\mathbb{Z}/3), \pi_*tmf(3)) \Rightarrow \pi_*tmf(3)^{hSL_2(\mathbb{Z}/3)}$$





$$\frac{1}{2}$$

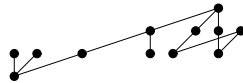
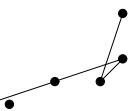
.

.

.

.

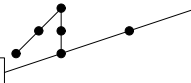
$$\frac{1}{8}$$

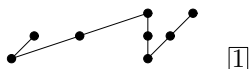
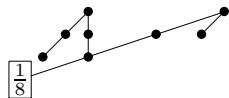
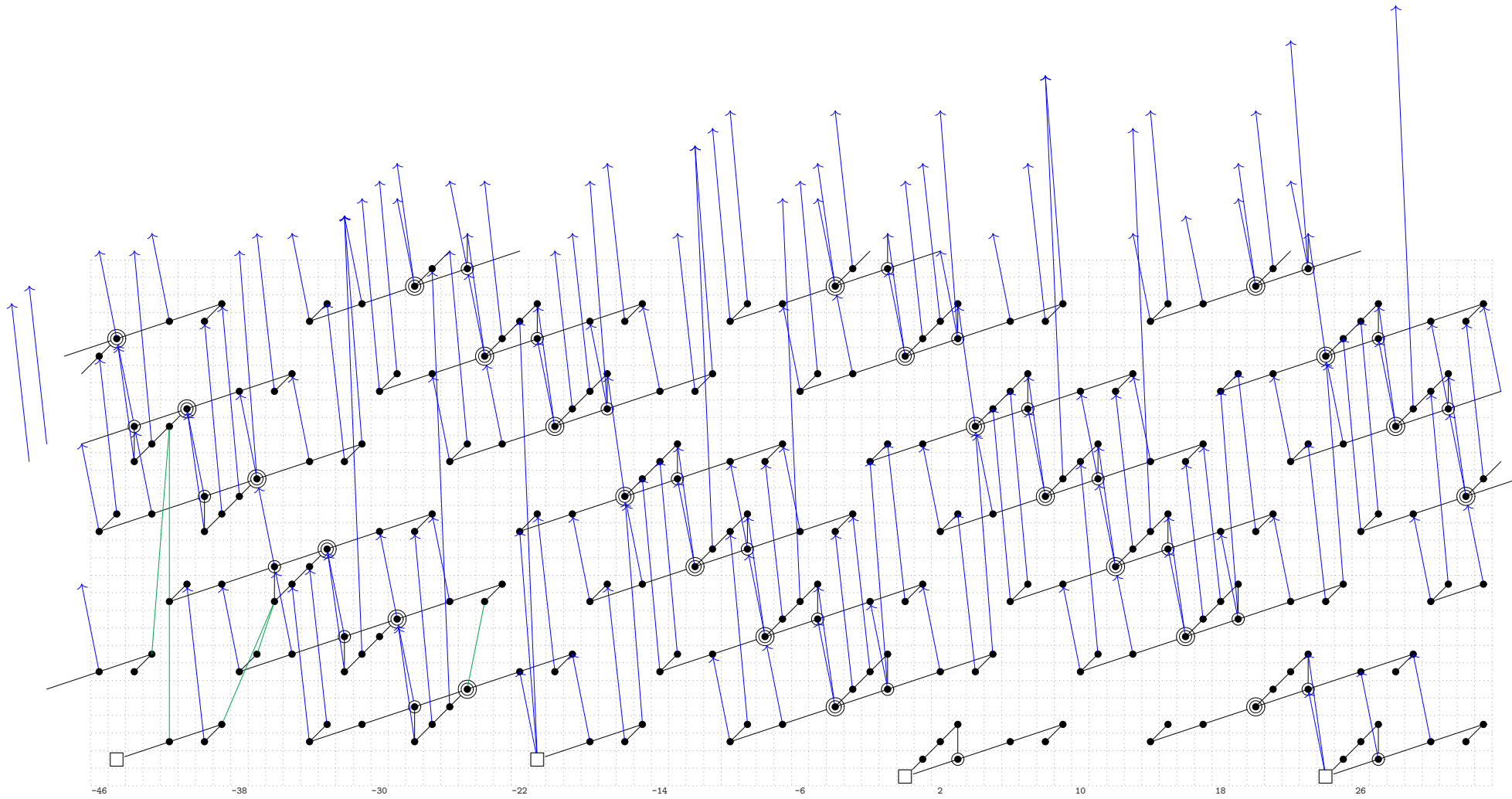


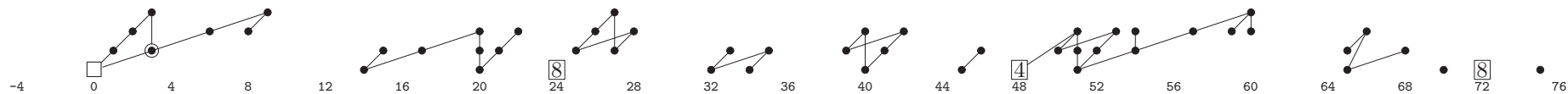
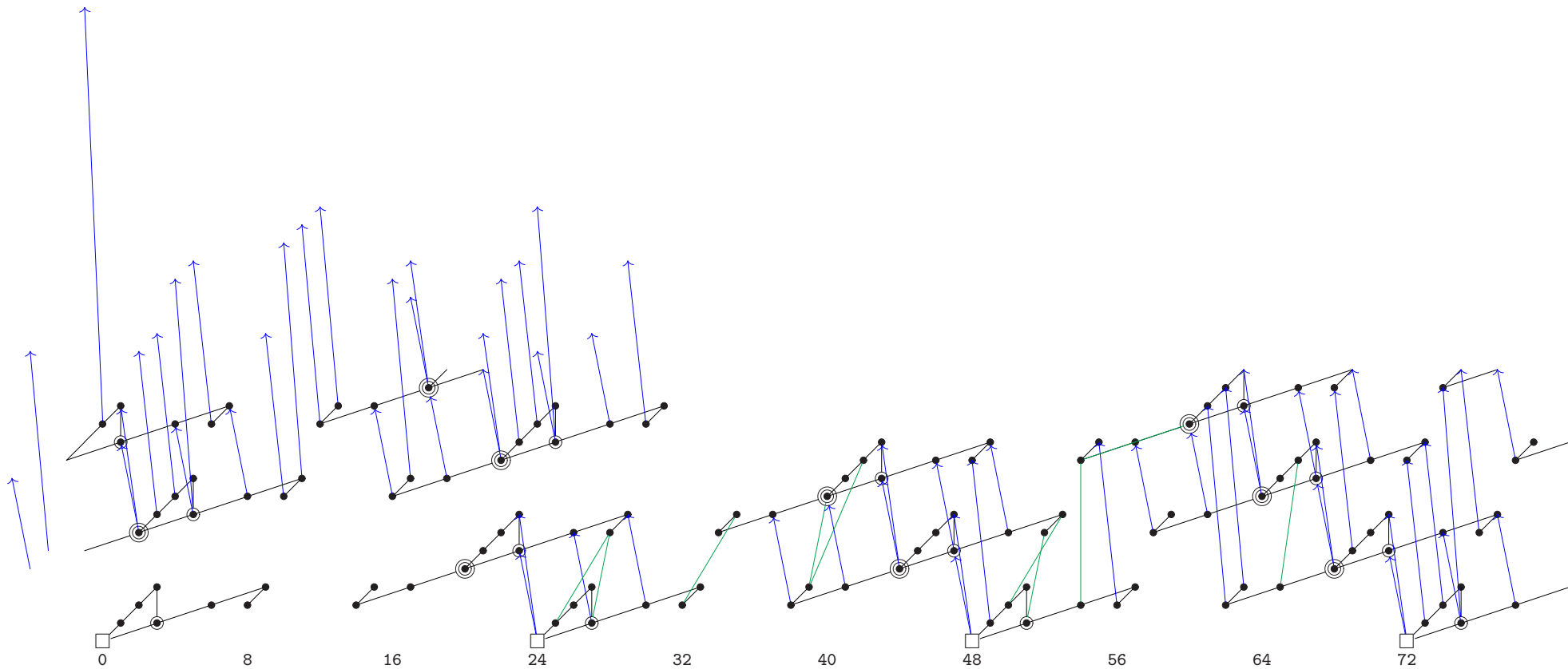
$$\frac{1}{4}$$

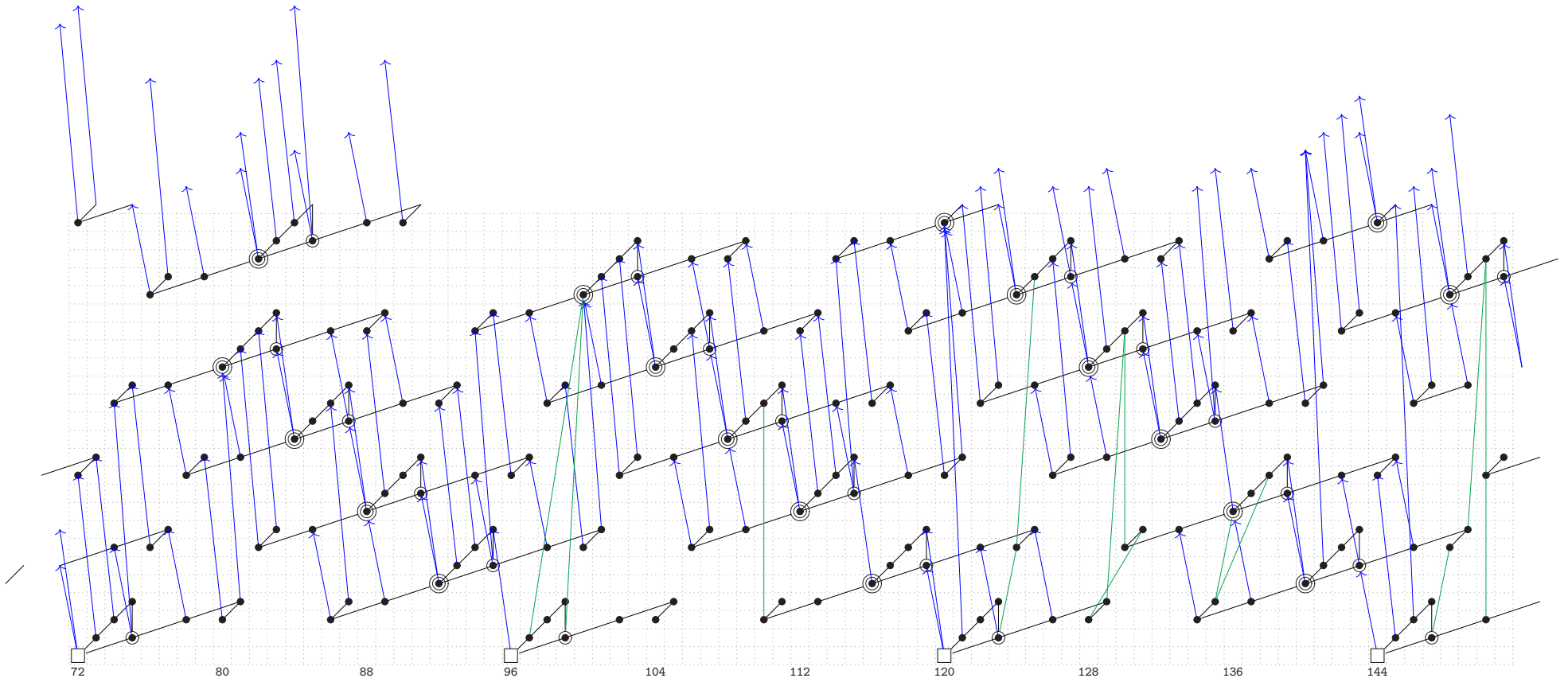


$$\frac{1}{8}$$

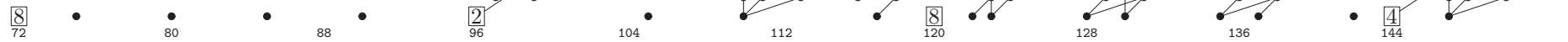


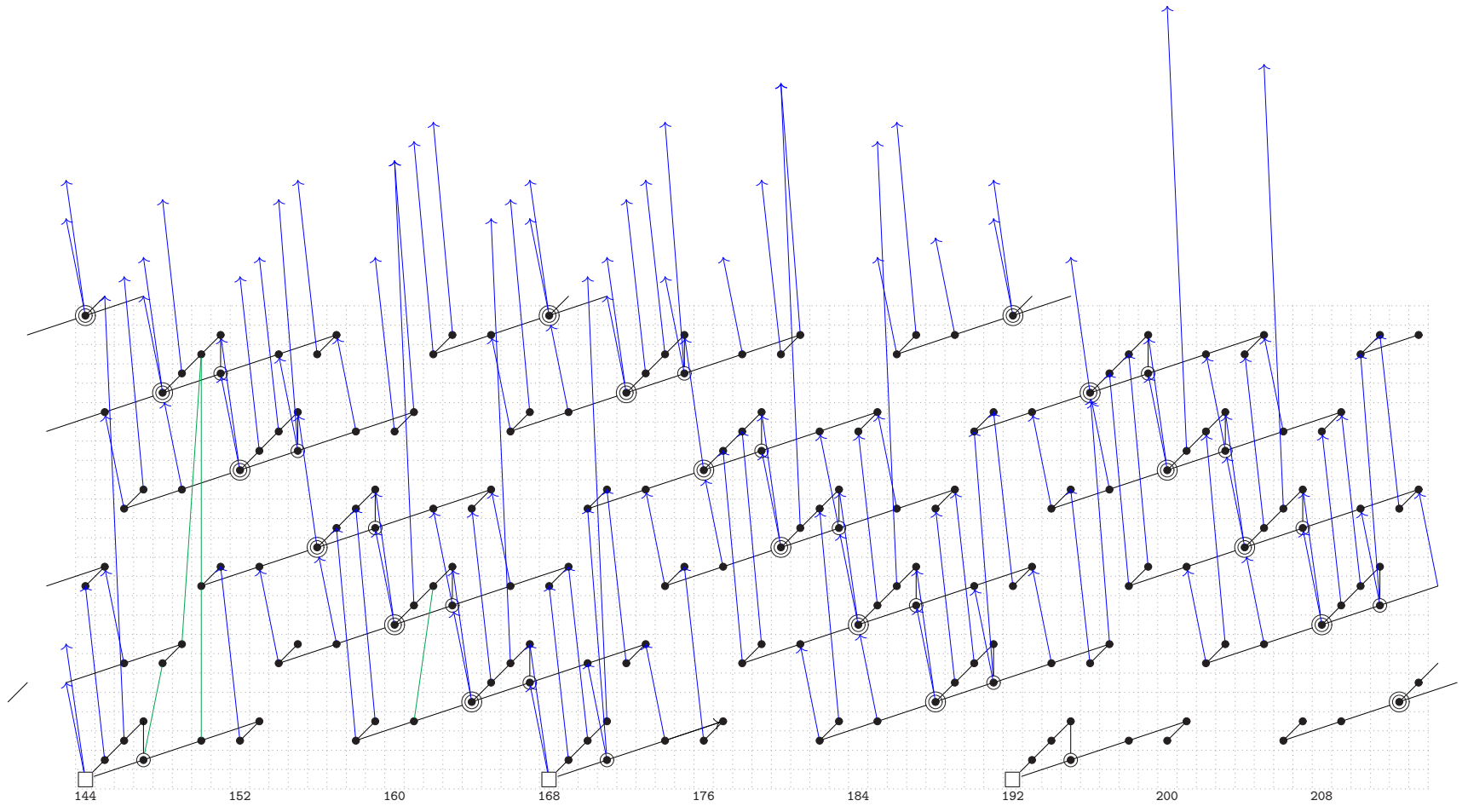






54





136

